

External Parts

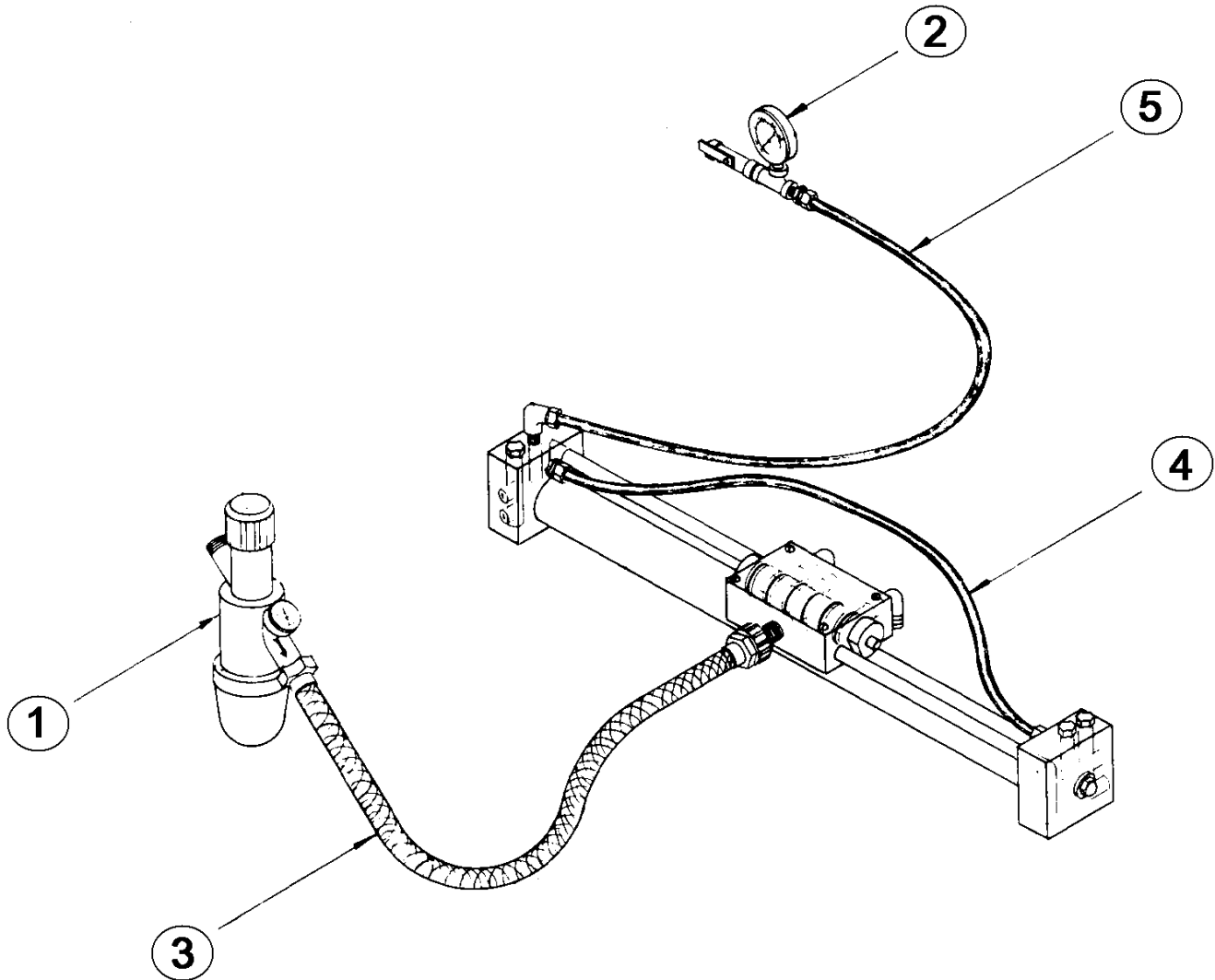


Diagram #	Part #	Description
1	10-1393	Inlet Filter Assembly with Gauge
2	10-1398	Output Gauge Assembly (0-300 psi, 4.5:1 pumps)
2	10-1400	Output Gauge Assembly (0-600 psi, 9:1 pumps)
3	10-1401	Input Hose
4	10-1405	Crossover Tube
5	10-1409	Output Tube
4 & 5	10-1814	Hydraulic Hose (after 2013)

External Parts
exploded view

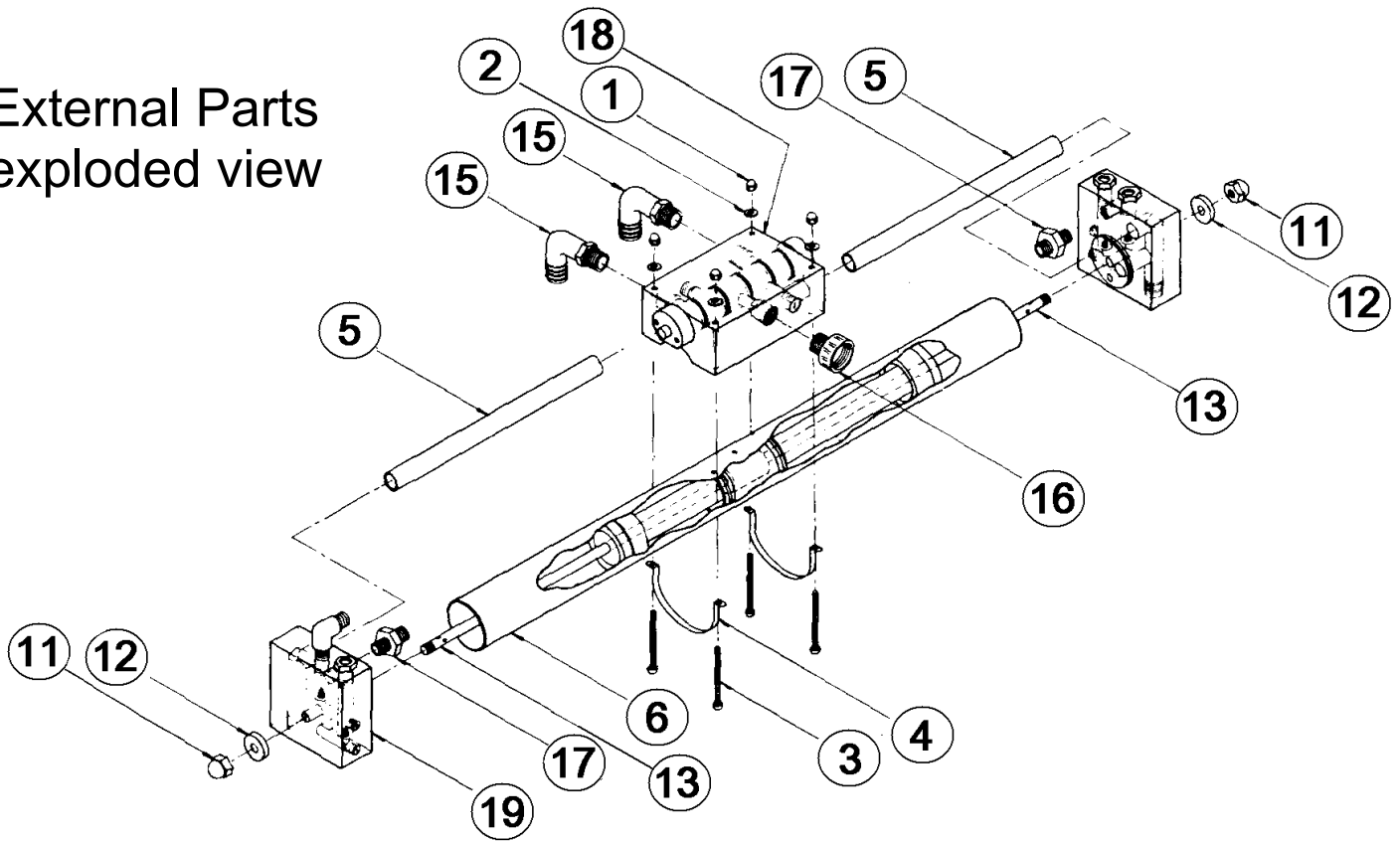


Diagram #	Part #	Description
1	10-1319	Strap Nut
2	10-1321	Strap Washer
3	10-1323	Strap Screw
4	10-1325	Strap
5	10-1349	Comm Tube
6	10-1357	Barrel
11	10-1373	End Nut
12	10-1375	End Washer
13	10-1377	Central Tube
15	10-1383	Valve Body Discharge Fitting
16	10-1385	Valve Body Inlet Fitting
17	10-1411	Straight Fitting
18	10-1329	Valve Assembly
19	10-1351	Head Assembly

Internal Parts

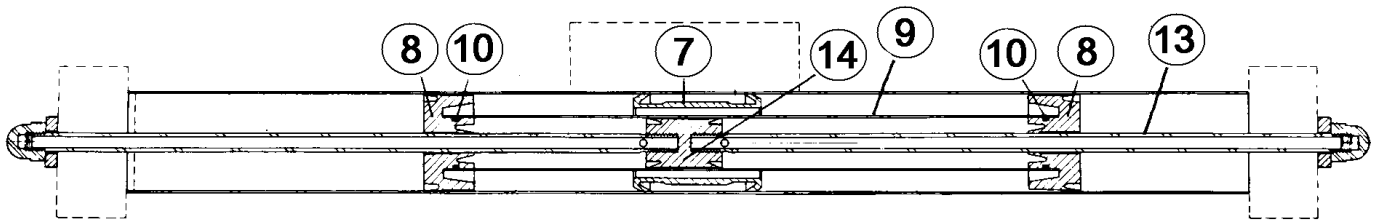


Diagram #	Part #	Description
7	10-1359	Collar
8	10-1361	Low Pressure Piston 4.5:1
8	10-1363	Low Pressure Piston 9:1
9	10-1365	High Pressure Cylinder 4.5:1
9	10-1367	High Pressure Cylinder 9:1
10	10-1369	Low Pressure O-Ring 4.5:1
10	10-1371	Low Pressure O-Ring 9:1
14	10-1379	High Pressure Piston 4.5:1
14	10-1381	High Pressure Piston 9:1

Valve Body Parts,
exploded view

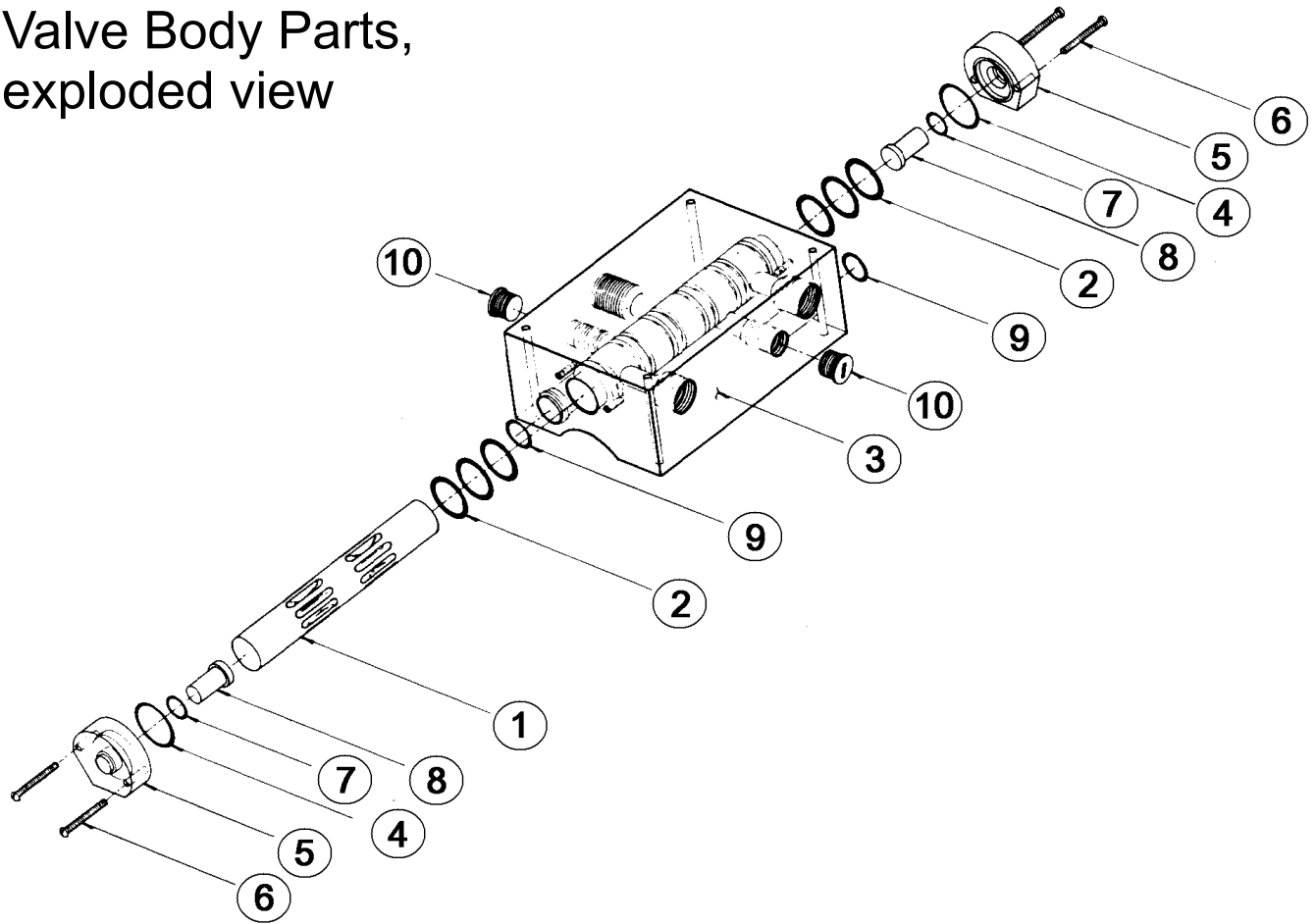


Diagram #	Part #	Description
1	10-1317	Spool
2	10-1327	Spool Valve O-Ring
2	10-1332	Spool Valve O-Ring, Heavy Duty
3	10-1329	Valve Assembly
4	10-1331	End Cap O-Ring
5	10-1333	Valve End Cap
6	10-1335	Cap Screw
7	10-1337	Button O-Ring
8	10-1339	Button
9	10-1347	Comm Tube O-Ring
10	10-1387	Valve Plug Slotted 1/4"

Head, exploded view

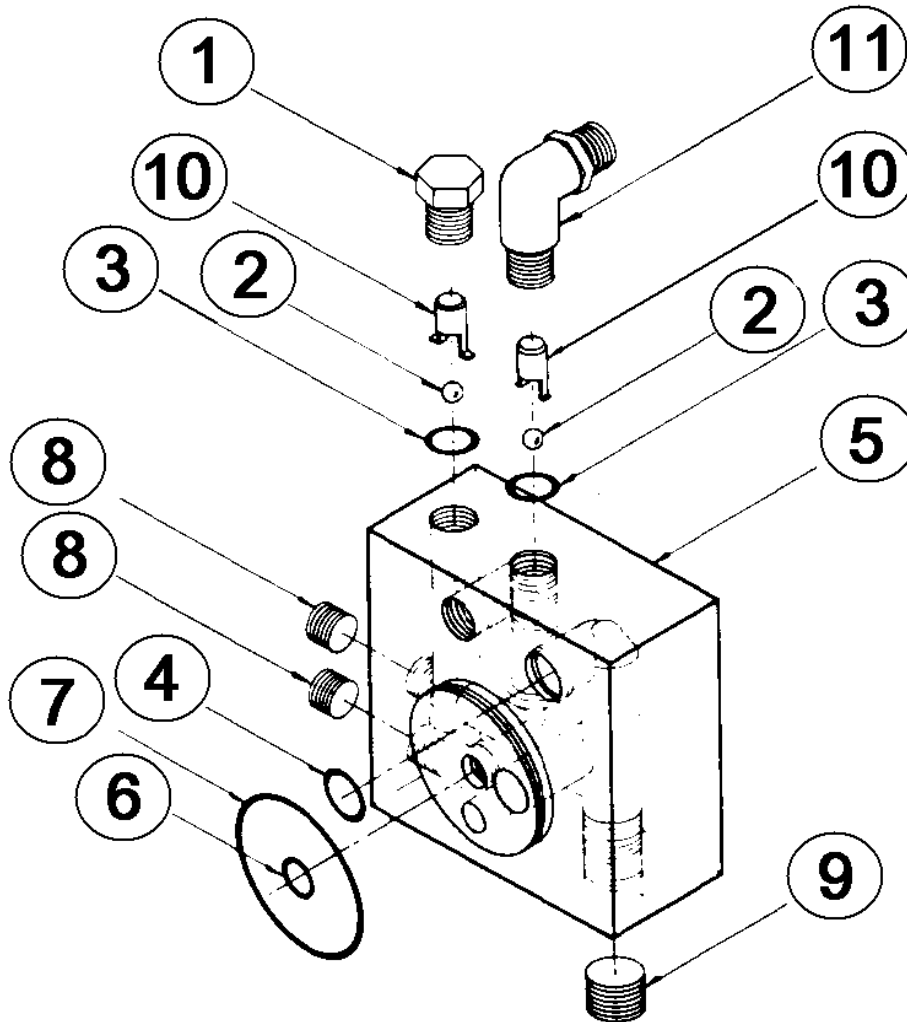


Diagram #	Item #	Description
1	10-1341	Hex Plug
2	10-1343	Check Valve Ball
3	10-1345	Check Valve O-Ring
4	10-1347	Comm Tube O-Ring
5	10-1351	Head Assembly
6	10-1353	Central Tube O-Ring
7	10-1355	Head O-Ring
8	10-1389	Head Plug Slotted 1/8"
9	10-1391	Head Plug Flush 3/8"
10	10-1413	Check Valve Insert
11	10-1407	EII Fitting (Right Head)
11	10-1410	Tee Fitting (Left Head)
Not shown	10-1411	Straight Fitting (pre 2000)
Not shown	10-1414	Socket Cap Screw (after 2013)

Common Repair Parts

10-1118 Rebuild Kit for 4.5:1 High Lifter, consists of:

- 10-1361 Low Pressure Piston 4.5:1 qty 2
- 10-1369 Low Pressure Piston O-ring 4.5:1 qty 2
- 10-1379 High Pressure Piston 4.5:1 qty 1
- 10-1332 Spool O-ring qty 6
- 10-1550 Silicone Grease Minitube qty 1

10-1124 Rebuild Kit for 9:1 High Lifter, consists of:

- 10-1363 Low Pressure Piston 9:1 qty 2
- 10-1371 Low Pressure Piston O-ring 9:1 qty 2
- 10-1381 High Pressure Piston 9:1 qty 1
- 10-1327 Spool O-ring qty 6
- 10-1550 Silicone Grease Minitube qty 1

10-1310 O-Ring Assortment for 4.5:1 High Lifter

10-1312 O-Ring Assortment for 9:1 High Lifter

10-1359 Collar

10-1317 Spool

10-1316 Spool O-Ring Set, contains 10-1332 O-Rings qty 6

10-1115 Changeover Kit to 4.5:1 consists of:

- 10-1365 High Pressure Cylinder 4.5:1 qty 1
- 10-1361 Low Pressure Piston 4.5:1 qty 2
- 10-1369 Low Pressure Piston 9:1 O-Ring qty 2
- 10-1379 High Pressure Piston 4.5:1 qty 1
- 10-1332 Spool Valve O-Rings qty 6
- 10-1550 Silicone Grease Minitube qty 1

10-1121 Changeover Kit to 9:1 consists of:

- 10-1367 High Pressure Cylinder 9:1 qty 1
- 10-1363 Low Pressure Piston 9:1 qty 2
- 10-1369 Low Pressure Piston 9:1 O-Ring qty 2
- 10-1381 High Pressure Piston 9:1 qty 1
- 10-1332 Spool Valve O-Rings qty 6
- 10-1550 Silicone Grease Minitube qty 1

10-1393 Filter and Input Gauge Assembly

10-1401 Input Hose