

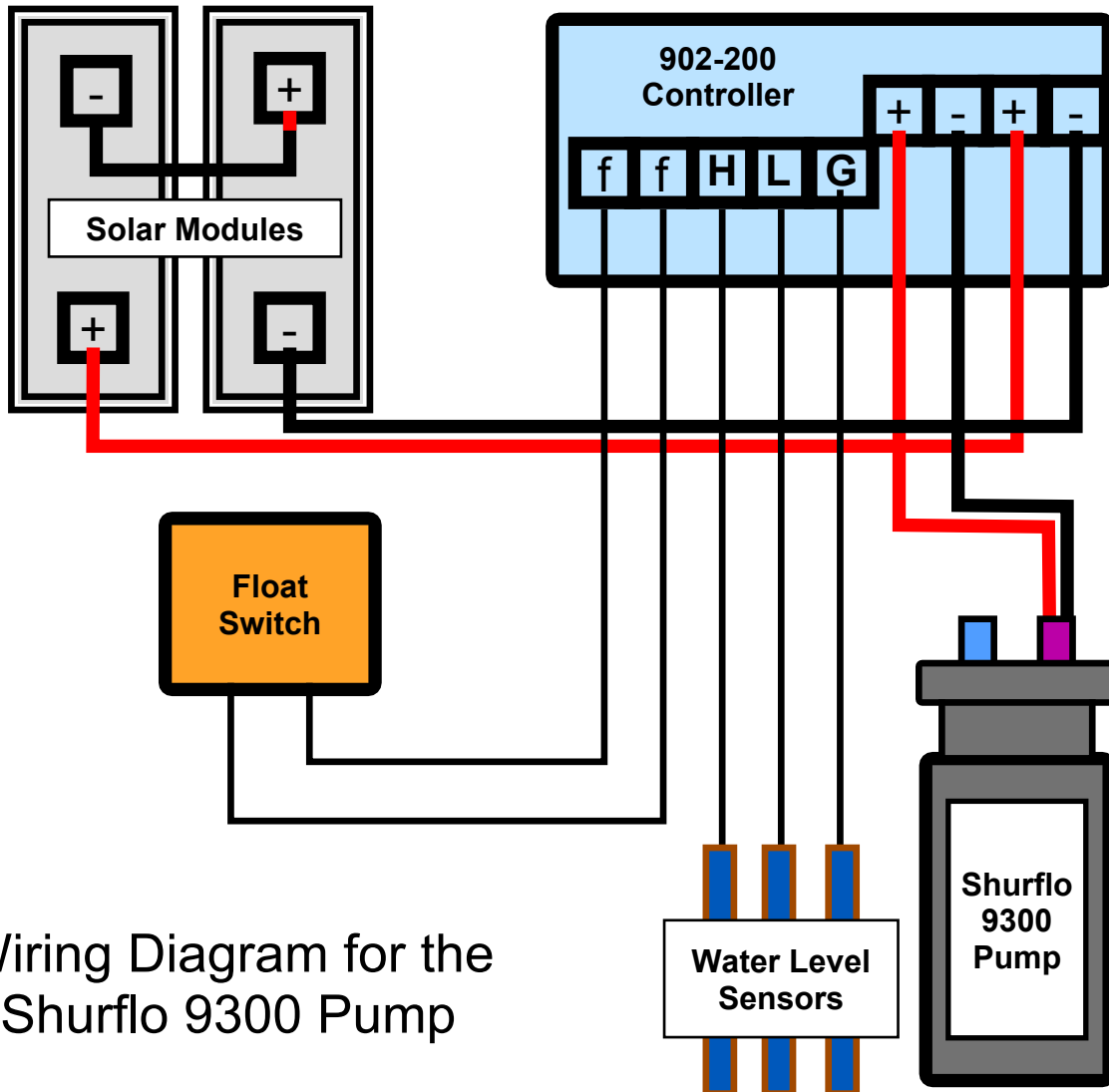
**The affordable solution for your solar electric well pumping needs.** Don't be fooled by similar-looking but inferior well pumps from overseas. The Shurflo 9300 has proven itself over decades of use by homesteaders, preppers, ranchers, and weekenders for their off grid property. Use it for gardens, livestock watering, pond aeration, remote homes, and cabins. Anywhere where you need well water but the grid won't go. The simple, lightweight design of the Shurflo 9300 makes it easy to install in your well. Run it on two 60 or 90 watt solar panels at 24 volts, or run it on a deep cycle battery at 12 volts. The optional pump controller will increase the pump output by up to 30%, and provides terminals for a float switch, which will turn the pump off when your tank is full.

#### Features:

- Multi-Voltage: Runs on 24 volts at full power or 12 volts at half power
- Fits well that are 4 inch diameter or larger
- Power Cable can be detached by unscrewing a gland nut
- Housing is corrosion proof plastic with stainless steel fasteners.
- Can run dry without damage to the motor or pump head
- Diaphragm Pump Head design is not sensitive to grit in the water. Comes with a 50 mesh intake screen to keep out leaves and bugs.
- Will pump to 230 feet. Maximum depth under water is 100 feet.
- Provides approximately 1.2 gallons per minute at 45 psi, 1 gpm at 90 psi.
- Easily disassembled for overhaul with simple hand tools.
- Parts are in stock at High Lifter Pump Service
- Not to be used to pump any petroleum product, solvent, thinner, or where flammable vapors are present.
- Rated for potable water
- 1/2" Hose Barb output fitting
- Optional Pump Controller 902-100 provides float switch connections and is 24VDC only.
- Optional Pump Controller 902-200 provides float switch connections, low water sensors, and is 24/12VDC voltage selectable.
- Weight 5 lbs.



<b>Model</b>	<b>Shurflo 9325-043-101</b>					
<b>Description</b>	24 VDC Submersible Pump for potable water wells with 1/2" Hose Barb output port and 50 mesh stainless steel input screen					
<b>Vertical Lift (feet)</b>	20	60	100	140	180	230
<b>Vertical Lift (meters)</b>	6	18	31	44	55	70
<b>Flow (GPH)</b>	111	105	100	93	87	79
<b>Flow (LPH)</b>	420	398	379	352	329	300
<b>Solar Array Watts</b>	58	78	99	115	135	155
<b>Current Amps</b>	1.7	2.3	2.9	3.5	4	4.6



Wiring Diagram for the Shurflo 9300 Pump