

MODEL 9325 SUBMERSIBLE PUMP PARTS LIST – Refer to FIGURE 17

ITEM	DESCRIPTION	QUANTITY
A	CABLE [NOT INCLUDED]	1
B	INNER CABLE BOOT	1
C	OUTER CABLE BOOT	1
-	PLUG (CABLE ADAPTER) [NOT SHOWN]	1
-	SCREW (PLUG) [NOT SHOWN]	2
D	NUT	1
E	SCREW (LIFT PLATE)	6
F	LIFT PLATE	1
G	OUTLET FITTING	1
H	O-RING (OUTLET FITTING)	1
I	O-RING (LIFT PLATE)	3
J	RECEPTACLE (CABLE ADAPTER)	1
K	SET SCREW (RECEPTACLE)	2
L	SCREW (MOTOR)	3
M	FILTER SCREEN	1
N	UPPER HOUSING	1
O	O-RING (UPPER HOUSING)	2
P	SPRING (BYPASS)	3
Q	POPPET (BYPASS)	3
R	VALVE HOUSING ASSEMBLY	1
S	LOWER HOUSING ASSEMBLY	1
T	MOTOR	1
U	CANISTER	1
V	SCREW (CANISTER)	3
W	LOCK WASHER (MOTOR SCREW)	3

REPLACEMENT PART KITS

Model	Description	Contents
94-135-00	LIFT PLATE	[E,F,I]
94-136-00	CABLE PLUG	[B,C,D,J,K,PLUG(CABLE ADAPTER) W/ SET SCREWS]
94-137-00	VALVE ASSEMBLY	[O,P,Q,R]
94-138-00	LOWER HOUSING ASSEMBLY	[O,S]
94-139-00	MOTOR	[O,T]
94-140-00	CANISTER	[O,U,V]
94-141-00	FILTER SCREEN	[M]
94-142-00	O-RING	[H,I,O,O-RING(VALVE HOUSING ASSEMBLY)]

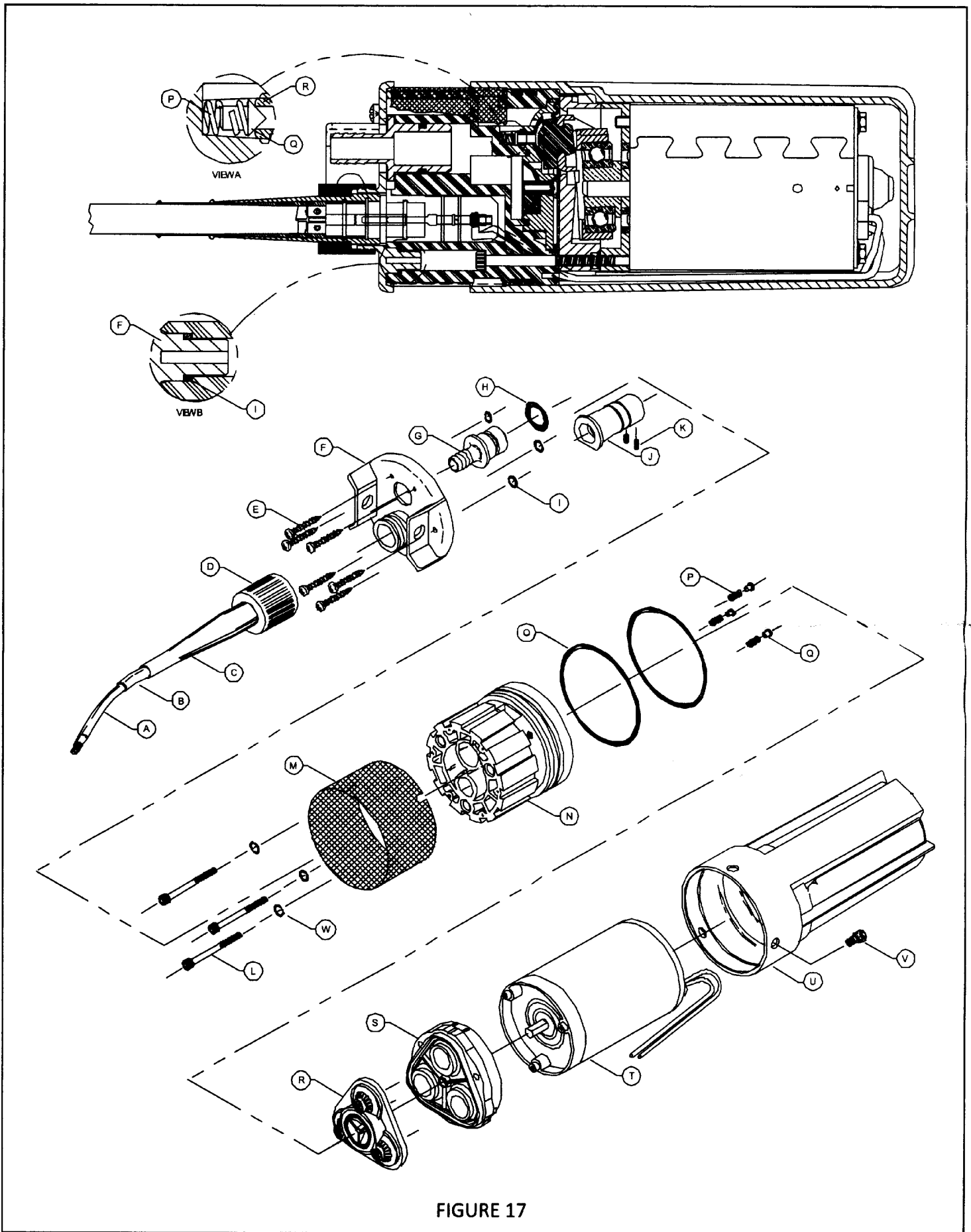


FIGURE 17